



DEVELOPMENT & PRODUCTION

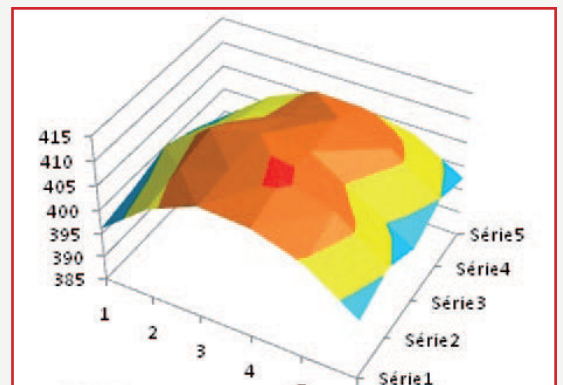
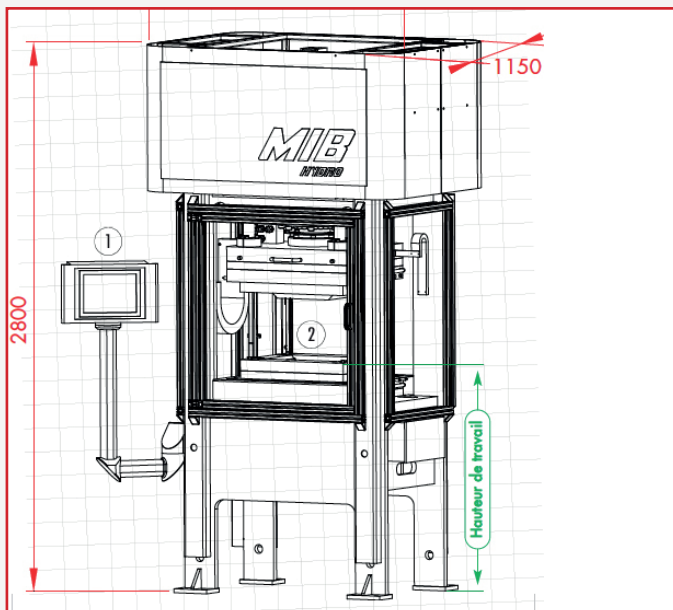
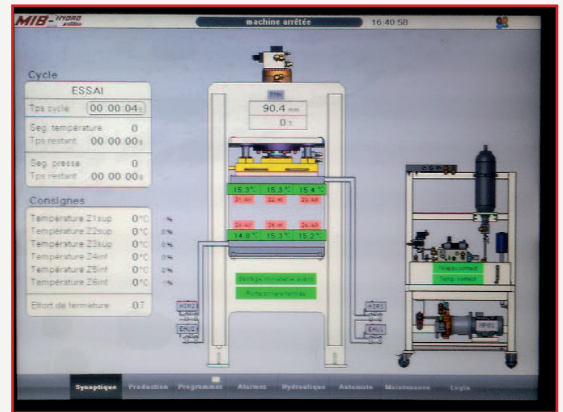


COMPRESSION PRESS



Characteristics:

- Force : 7 to 70 tons
- Pressure on material : max. 16 bars
- Daylight : 500 mm
- Stroke : 400 mm
- Closing speed : max. 1.5 secondes
- Platens : 700 x 600 mm
- Heating temperature : max. 450°C
- Insulated platens
- Controlled heating rate : 1 to 10°C/minute
- Controlled cooling system
- Cooling rate : 2 to 5°C/minute
- Closed cooling loop on option
- 2006/42/EC accreditation



Design and manufacturing according to specifications



MIB
— HYDRO —

Rue Lavoisier - Parc d'activité / 42500 le Chambon-Feugerolles

Tél. +33 4 77 61 85 50 - fax +33 4 77 89 04 21 / contact@mibhydro.fr - www.mibhydro.fr